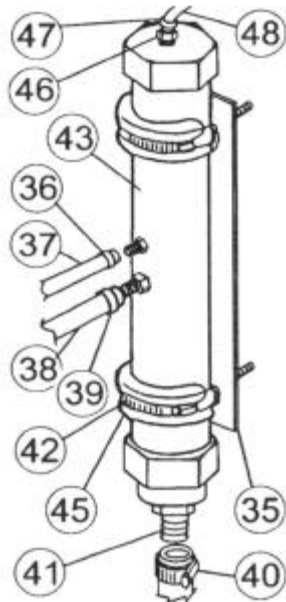
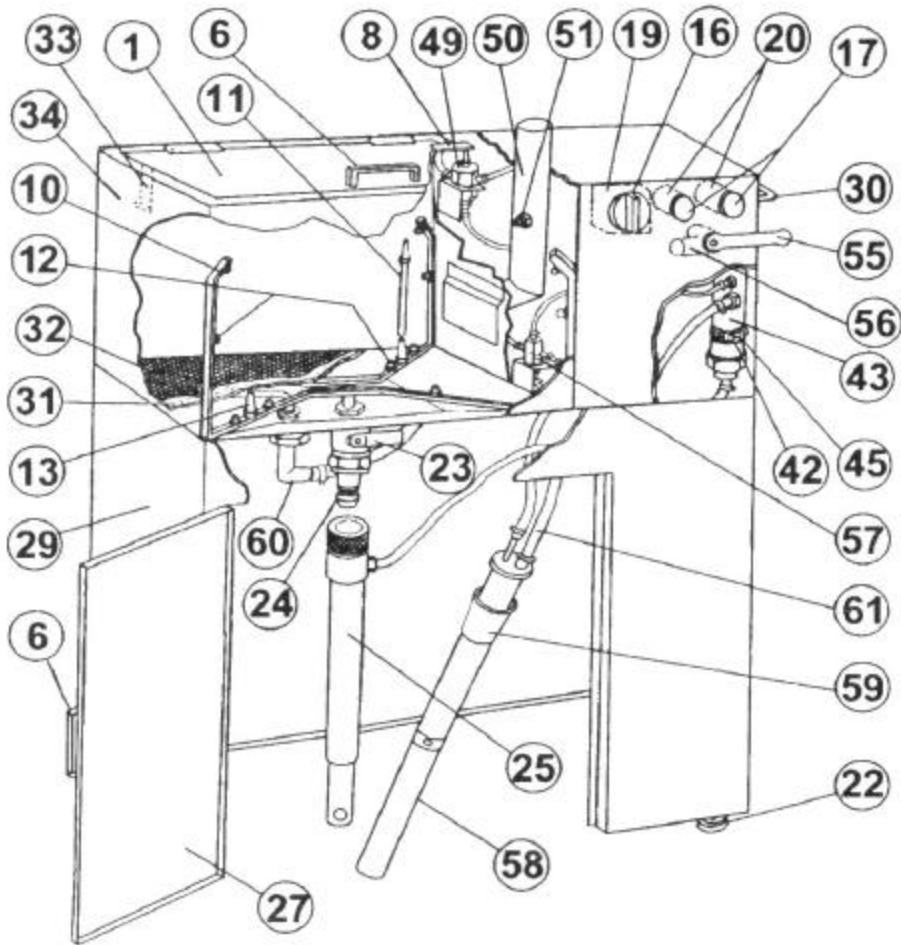


UG-45V Illustrated Parts Breakdown



Automatic Spray Equipment Cleaning System Parts List

Part #	Description
1	Lid assembly
6	Lid / Door Handle
8	Lid Switch Plate, Adjustable
10	Delivery Tubes
11	Nozzle Adapter
12	Spray Jet Assembly
13	Gun Cleaner Taper Nozzle
16	Mechanical Timer Control Knob
17	Air Rinse Control Knob
19	Mechanical Timer Assembly
20	Air Rinse Valve Assembly
22	Adjustable Leveler Foot, Long
23	Stop Cock Valve Assembly
24	Quick Coupling Nipple (male)
25	Solvent Suction Pump Assembly
27	Door Assembly, Complete
29	Base Cabinet
30	Spray Gun Hanger Bar
31	Filter Pad (10 pack)
32	Flame Retardant Screen
33	Lid Opening Stop Arm
34	Stainless Steel Tank Assembly
35	Pump Mounting Bracket
36	Hose Clamp (7mm)
37	Air Hose

Part #	Description
38	Solvent Hose
39	Hose Clamp #4
40	Hose Clamp
41	Hose Barb, 3/8" x 1/8" NPT
42	Pump Clamp
43	Main Pump, Dual Seals
45	Rubber Cushion
46	Hose Barb 1/4"
47	Hose Clamp
48	Exhaust Silencer Tube
49	Lid Switch Valve Assembly
50	Fume Exhaust Tube Assembly
51	Toggle Switch Air Valve
55	Valve Handle
56	Three-way Valve Assembly
57	Four-way Valve Assembly
58	Rinsing Pump Assembly
59	Tapered Plug Stopper
60	Elbow Fitting
61	Solvent Tube