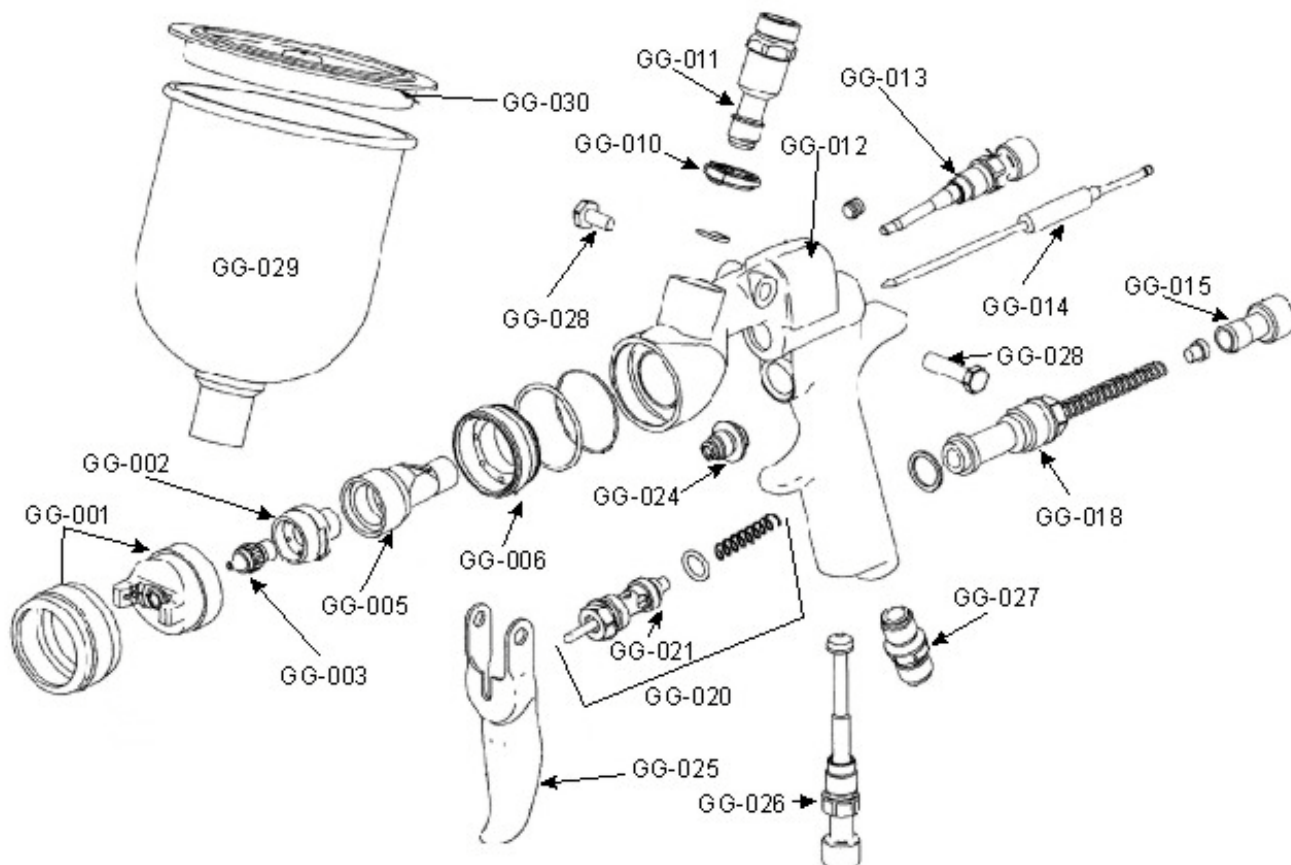




**AirVerter® High Performance Spray
Painting Solutions**

**GRAVITY SPRAY GUN
GG-100**



Guns

Part #	NSN	Description
GG-100	4940-01-481-0571	Jaguar HVLP Gravity Feed Spray Gun

Maintenance Kits

Part #	NSN	Description
GG-125	4940-01-489-5485	High Wear Kit

Parts

Part #	NSN	Description
GG-001-10	4940-01-489-1132	Air Cap with Ring #10
GG-001-10T	4940-01-490-0186	Test Air Cap with Ring #10 & Gauge
GG-001-13	4940-01-489-1133	Air Cap with Ring #13
GG-001-13T	4940-01-490-0188	Test Air Cap with Ring #13 & Gauge

Revised 10/1/05

\$25.00 Minimum Order per Shipping Address Please

Smith Eastern Corporation 10630 Riggs Hill Road, Suite S Jessup, Maryland 20794-9425 USA
 301.497.7600 Fax 301.497.7613 1.800.937.4857 info@airverter.com www.airverter.com

Part #	NSN	Description
GG-001-14	4940-01-489-1138	Air Cap with Ring #14
GG-001-14T	4940-01-490-0189	Test Air Cap with Ring #14 & Gauge
GG-001-15	4940-01-489-1141	Air Cap with Ring #15
GG-001-15T	4940-01-490-0191	Test Air Cap with Ring #15 & Gauge
GG-001-17	4940-01-489-1142	Air Cap with Ring #17
GG-001-17T	4940-01-490-0193	Test Air Cap with Ring #17 & Gauge
GG-001-19	4940-01-489-1145	Air Cap with Ring #19
GG-001-19T	4940-01-490-0196	Test Air Cap with Ring #19 & Gauge
GG-001-22	4940-01-489-1148	Air Cap with Ring #22
GG-001-22T	4940-01-490-0199	Test Air Cap with Ring #22 & Gauge
GG-002	4940-01-489-5402	Fluid Nozzle Body
GG-003-08	4940-01-489-1788	Fluid Nozzle Tip 0.8mm
GG-003-10	4940-01-489-1750	Fluid Nozzle Tip 1.0mm
GG-003-13	4940-01-489-1752	Fluid Nozzle Tip 1.3mm
GG-003-14	4940-01-489-1760	Fluid Nozzle Tip 1.4mm
GG-003-15	4940-01-489-1764	Fluid Nozzle Tip 1.5mm
GG-003-17	4940-01-489-1776	Fluid Nozzle Tip 1.7mm
GG-003-19	4940-01-489-1780	Fluid Nozzle Tip 1.9mm
GG-003-22	4940-01-489-1785	Fluid Nozzle Tip 2.2mm
GG-005	4940-01-490-1877	Nozzle Carrier
GG-006	3040-01-489-5406	Air Cap Adapter
GG-010	5325-01-490-0901	Locknut
GG-011	4030-01-490-2068	Fluid Inlet Fitting
GG-011B		Fluid Inlet Fitting Gasket Set
GG-012	4940-01-489-5399	Gun Body HVLP
GG-013	4940-01-489-6196	Fan Control Assembly
GG-014-08	4940-01-481-2137	Fluid Needle 0.8mm
GG-014-10	4940-01-481-2138	Fluid Needle 1.0mm
GG-014-13	4940-01-481-2139	Fluid Needle 1.3mm
GG-014-14	4940-01-481-2140	Fluid Needle 1.4mm
GG-014-15	4940-01-481-2141	Fluid Needle 1.5mm
GG-014-17	4940-01-481-2142	Fluid Needle 1.7mm
GG-014-19	4940-01-481-2143	Fluid Needle 1.9mm
GG-014-22	4940-01-481-2144	Fluid Needle 2.2mm
GG-015	5355-01-490-0853	Fluid Control Knob
GG-018	4940-01-490-2005	Rear Bushing
GG-020	4820-01-489-1925	Air Valve Assembly
GG-021	4820-01-489-1921	Air Valve Poppet
GG-024	4940-01-490-1897	Needle Seal Cartridge

Revised 10/1/05

\$25.00 Minimum Order per Shipping Address Please

Smith Eastern Corporation 10630 Riggs Hill Road, Suite S Jessup, Maryland 20794-9425 USA

301.497.7600

Fax 301.497.7613

1.800.937.4857

info@airverter.com

www.airverter.com

Part #	NSN	Description
GG-025	4940-01-489-6203	Trigger
GG-026	4940-01-490-1880	Air Control
GG-027	4730-01-490-1948	Air Inlet Fitting 1/4-in. NPSM threads.
GG-028	4940-01-490-1964	Trigger Pivot Set
GG-029-AL	4940-01-489-5503	Gravity Feed Cup, Aluminum (750 cc) Std.
GG-029-PC	4940-01-489-5499	Gravity Feed Cup, Plastic (750 cc) Std.
GG-030-AL	4940-01-490-1912	Cup Lid (3 pack for Aluminum cup)
GG-030-ALS	-	Cup Lid, Screw on for Aluminum Cup
GG-031-AL	4940-01-489-5492	Gravity Feed Cup, Aluminum (1 Liter)
GG-032	4330-01-490-0802	Paint Filter (pkg of 4)
GG-033	-	Gravity Feed Cup, Aluminum 4 oz cup
GG-034	-	Cup Lid for 4 oz Cup (each)