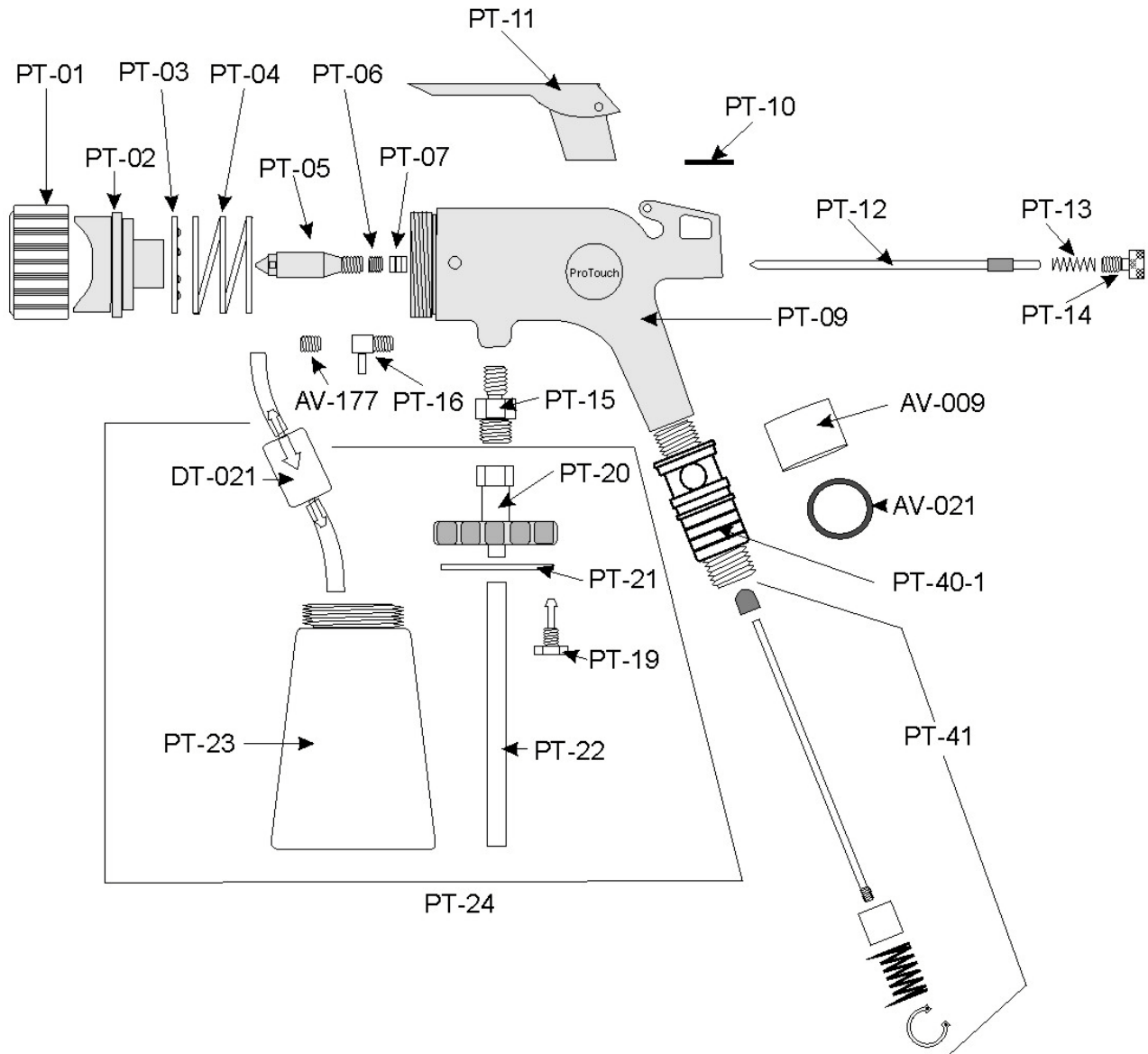




**AirVerter® High Performance Spray
Painting Solutions**

PROTOUCH SPRAY GUN



PT-100AC Illustrated Parts Breakdown

Revised 10/1/05

\$25.00 Minimum Order per Shipping Address Please

Smith Eastern Corporation 10630 Riggs Hill Road, Suite S Jessup, Maryland 20794-9425 USA

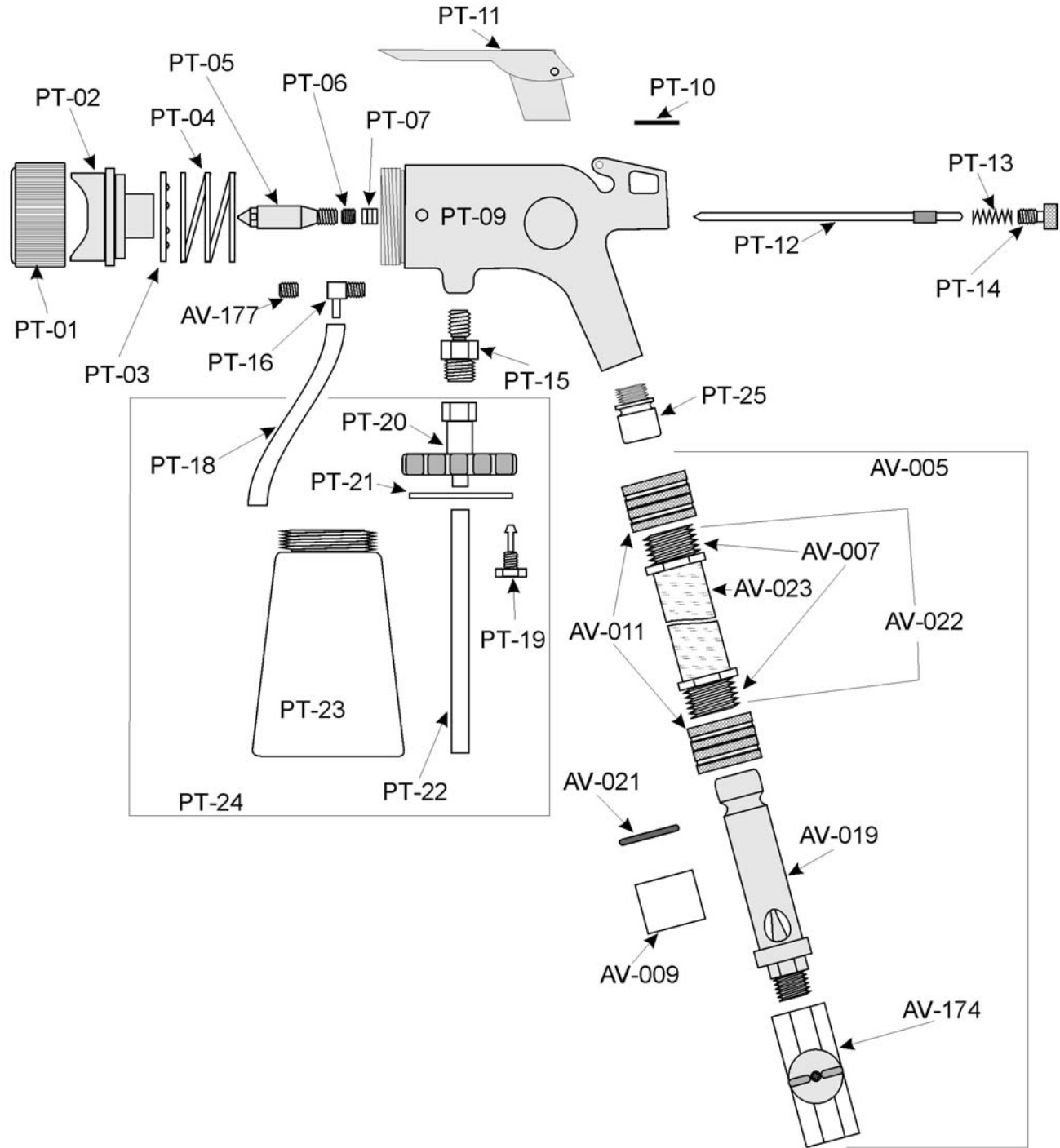
301.497.7600

Fax 301.497.7613

1.800.937.4857

info@airverter.com

www.airverter.com



PT-100 Illustrated Parts Breakdown

Guns

Part #	NSN	Description
PT-100AC	4940-01-467-7160	ProTouch Gun with Trigger Air Control, Complete w/ 8 oz. Cup

Maintenance Kits

Part #	NSN	Description
PT-025	4940-01-439-7946	Bench Stock Parts Kit for PT-100
PT-27	4940-01-439-7948	High Wear ProTouch Maintenance Kit
PT-225	4940-01-502-3920	Bench Parts Kit for PT-100AC
PT-227	4940-01-502-3940	High Wear ProTouch Air Control Maintenance Kit

Parts

Part #	NSN	Description
AV-009	4310-01-395-7387	Inductor Filter (Pkg of 5)
AV-021	5325-01-395-1464	Filter Retainer
AV-202	4940-01-440-0912	Gun Cleaning Kit (brushes)
AV-203	-	Gun Lube (1 Tube)
DT-021	4820-01-457-3857	One-Way Check Valve
PT-01	4940-01-440-0892	Pattern Control Ring
PT-02	4940-01-395-8586	Air Cap
PT-02T	4940-01-502-3912	Test Air Cap
PT-03	3040-01-396-7791	Air Cap Detent Plate
PT-04	4940-01-440-0890	Air Cap Spring
PT-05-056	4940-01-395-7394	Fluid Nozzle .056
PT-05-072	4940-01-395-7966	Fluid Nozzle .072
PT-06	5306-01-395-8038	Packing Adjustment Screw
PT-07	5330-01-395-3027	Teflon Packing (pkg. of 3)
PT-08	*	Pattern Control Stop
PT-09	4940-01-439-8324	ProTouch Gun body (Includes Fluid Fitting Chamber)
PT-10	5315-01-395-0212	Trigger Pin
PT-11	4940-01-440-0889	Trigger
PT-12-056	4940-01-395-7967	Needle .056 (small) - Standard
PT-12-072	4940-01-395-7391	Needle .072 (large)
PT-13	5360-01-395-7774	Trigger Spring
PT-14	4940-01-440-0887	Adjustment Screw
PT-15	4730-01-440-0885	Fluid Fitting
PT-16	4730-01-440-0883	Air Pressure Elbow
PT-18	4720-01-439-9114	Air Pressure Hose 4-in.
PT-19	4820-01-440-0882	Cup Pressure Valve
PT-20	4940-01-440-0879	Cup Lid Assembly
PT-21	5330-01-395-1465	Cup Gasket

Revised 10/1/05

\$25.00 Minimum Order per Shipping Address Please

Smith Eastern Corporation 10630 Riggs Hill Road, Suite S Jessup, Maryland 20794-9425 USA

301.497.7600

Fax 301.497.7613

1.800.937.4857

info@airverter.com

www.airverter.com

Part #	NSN	Description
PT-22	4710-01-439-9115	Fluid Tube
PT-23	4940-01-439-7063	Cup, Paint, 8 oz.
PT-24	4940-01-395-8844	Cup Assembly
PT-25	4730-01-439-9117	Threaded Male QD
PT-35	4730-01-439-9118	Fluid Fitting Adapter (1/4-in. Female to 3/8-in. Male)
PT-37	4940-01-440-0878	Fluid Fitting Adapter (3/8-in. Female to 1/4-in. Male Fluid Fitting)
PT-40	4940-01-467-7137	Inductor with Air Control
PT-40-1	4940-01-467-7132	Inductor Body
PT-40R	4940-01-467-7134	Inductor with Air Control Refit Kit
PT-41	4940-01-467-7136	Inductor Repair Kit